



PROJECT		REF		REV	ITEM CODE	
LOCATION		DATE			PAGE	

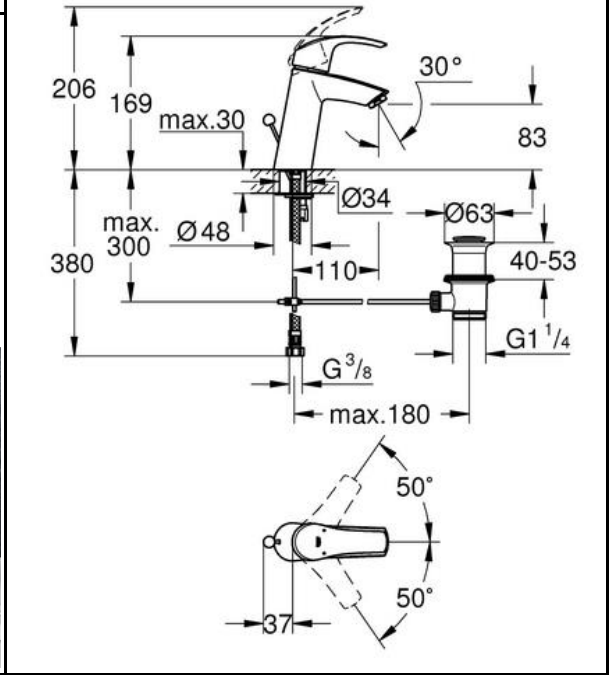
## SANITARY WARE SPECIFICATION SHEET

Item Descriptions	GROHE (Germany) "Eurosmart" Chrome plated single lever basin mixer 1/2" M-size; nominated flow rate <b>5 L/min</b> in WELS <b>Grade 1</b> ; Registration No. TM 17-0108
Dimensions	L110 x W48 x H206 mm
Model	23322001
Finish / Material	Chrome Plated
Country of origin	Thailand
Manufacturer	GROHE Limited
Supplier	Acme Sanitary Ware Co. Ltd Mr. Eric Wong/ Mr. Don Yuen
Contact Tel/Fax	(852) 2388-7171 / (852) 2710-8012
E-mail	acme@acmesanitary.com.hk
Website	www.acmesanitary.com.hk

Illustration/ Drawing

**"Eurosmart"**  
**Basin mixer 1/2" M-Size**

- monobloc installation
- metal lever
- 28 mm ceramic cartridge with **GROHE SilkMove**
- with temperature limiter
- **GROHE StarLight** chrome finish
- **GROHE EcoJoy** mousseur 5.7 l/min
- **GROHE FastFixation** rapid installation system
- pop-up waste set 1 1/4"
- flexible connection hoses



Note: [YouTube \(Grohe 23322001\) https://www.youtube.com/watch?v=fBmeOD20oac](https://www.youtube.com/watch?v=fBmeOD20oac)  
[YouTube \(Unboxing 23322001\) https://www.youtube.com/watch?v=pqb4\\_W8YC6I](https://www.youtube.com/watch?v=pqb4_W8YC6I)

\* All information of the above is for the reference only. No prior notice is made if any changes.



PROJECT		REF		REV	ITEM CODE	
LOCATION		DATE			PAGE	

## SANITARY WARE SPECIFICATION SHEET

### GROHE EUROSMART

**GROHE'S NUMBER 1 IN PREMIUM PERFORMANCE**

For almost 2 decades, its legendary quality has made the GROHE's Eurosmart range the obvious choice for planners, architects and plumbers. Making it the number 1 worldwide with over 30 million sold. With its wide range of designs and functionalities, its long-lasting GROHE SilkMove Technology and German engineering know-how, Eurosmart is valued for every kind of project – bath, kitchen, commercial, large-scale or small. Eurosmart: always a first class choice since 1999.



**GROHE SilkMove cartridge technology for smooth handling**

This premium tap comes with a continuously variable water temperature and volume adjustment technology, ensuring effortless lever operation even after years of use.



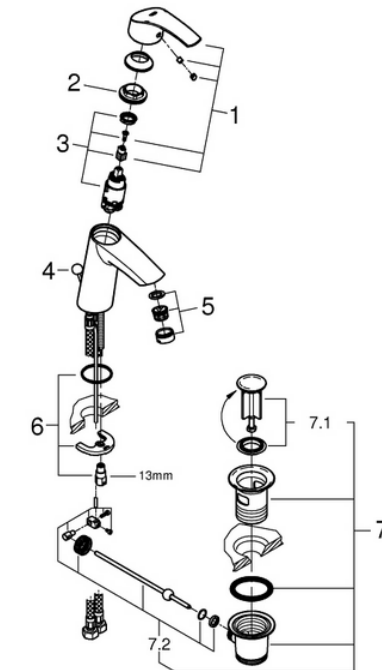
**Easy to clean thanks to the GROHE StarLight chrome coating**

Just wipe the tap down with a dry cloth – the ultra smooth surface finish is scratch resistant and ensures a lasting luminous sheen. You'll save plenty of time cleaning while your tap always looks shiny and new.



**GROHE EcoJoy with water-saving function for reduced consumption**

GROHE EcoJoy reduces water consumption by up to 50% without compromising on performance. Whenever you turn on your tap, you will enjoy a full jet of water while saving money nonetheless.



**Medium-height spout**  
For accessibility and convenience

**Pop-up action**  
Lets you open and close waste simply

**EcoJoy technology**  
Reduces water consumption by up to 50%

**Quick and easy installation**



Pos.-nr.	Prod. description	Order-nr.
1	Lever	46859000
2	Fitting ring	46715000
3	Cartridge	46580000
4	Pop-up rod	06329000
5	Mousseur	48159000
6	Shank fastening assembly	46249000
7	Waste set 1 1/4"	28910000
8	Mounting wrench	19017000*
9	Ball rod	07341000*

\* Optional accessories

Note:

\* All information of the above is for the reference only. No prior notice is made if any changes.



自願參與用水效益標籤計劃 - 水龍頭  
Voluntary Water Efficiency Labelling Scheme - Water Taps



茲證明  
This is to certify that

將下列水龍頭在本計劃內註冊：  
has registered the following water tap under this scheme :

牌 子 / Brand	:	GROHE
型 號 / Model	:	23322001
種 類 / Type	:	Mixing
原產地 / Country or Region Origin	:	Thailand

在用水效益標籤上展示的標誌 <i>Symbolic Presentation on the Water Efficiency Label</i>	:		滴水點 <i>Water droplet(s)</i>
用水效益級別 <i>Water Efficiency Grade</i>	:	1	
耗水量 <i>Water Consumption</i>	:	5	公升/分鐘 <i>litres/minute</i>

簽發日期：  
Date of Issue: 27 July 2017

水務署  
Water Supplies Department



水務署署長(周世威代行)  
for Director of Water Supplies





水務署  
Water Supplies Department

總部 Headquarters

告士打道七號入境事務大樓 48 樓

7 Gloucester Road, Wan Chai, Hong Kong



本署  
Our ref.  
來函檔號  
Your ref.

3321/18 Pt.1 T/J(856)

電話  
Tel. :  
傳真  
Fax. : 2824 0578

20 September 2018



**Approval of "GROHE" Basin Mixer  
(General Acceptance No. C20180637)**

Your letter ref. WRC/1902 dated 16 July 2018 refers.

Having considered the test report ref. J23122 issued on 28 June 2018 by Nutek Systems (HK) Ltd., this Authority accepts that the fitting described below complies with, and its use when correctly installed does not contravene, the Waterworks Ordinance and Regulations.

**Name of Manufacturer:** Grohe AG

**Country of Origin:** Thailand

**Brand:** Grohe

**Details of Fitting:** 3/8" Single lever basin mixer supplied with one pair of stainless steel wire braided water inlet flexible hose (manufactured by Neoperl GmbH. Model: Neoflex SPX DN6 G3/8") approved by UK's WRAS under ref. 1506306

**Model:** 23322001

**Body Markings:**



**Expiry Date:** 13 June 2023 (for mixer)  
30 June 2020 (for hose)

This Authority hereby permits the use of the above fitting in fresh water plumbing systems subject to full adherence to Waterworks installation requirements. In particular, you are required to draw your customers' attention to the following requirement-

“The cold water supply to the fitting shall be drawn from the same source that supplies the hot water apparatus so as to provide a balanced pressure and to obviate the risk of scalding in the event of a restriction or failure in the water supply.”

A condition of this acceptance is that the fitting to be installed shall be replicas of the sample as certified by the testing agent mentioned above and without modifications. This acceptance may be withdrawn at any time if the standard of the fitting installed fails to meet that of the approved sample or if the fitting is found to be unsuitable for use in fresh water plumbing systems.

This acceptance is only applicable to the main body of the fitting, unless other specified.

For the use of the fitting in any project, the General Acceptance Number of this letter must be quoted as a means of identification of acceptance of the fitting by this Authority.

Should you have any enquiries, please contact our Engineer Mr. Terry KUNG at tel. no. 3583 4086.

Yours faithfully,



(CHAN Chung-kun)

for Director of Water Supplies

Encl.

c.c. WSD 3321/1/82 ] - without catalogue  
ME/MC ] - with soft copy only